



Aerospace Electromagnetic Clutches & Brakes

Power Transmission Solutions for the
Aerospace & Defense Market



Aerospace Electromagnetic Brakes: Stop Loads and Hold Position with Precise Control

Typical Applications

- Motor Brake
- Planetary Gearboxes
- Winch Systems
- Flap Actuator Holding
- Robotic Arm Holding
- Cargo Roller Stops
- Ball Screw Drives
- Drones/Munitions
- Tensioning Systems



Aerospace Electromagnetic Clutches: Transmit rotational energy with the speed of a switch

Typical Applications

- Alternators
- Motors
- Gearboxes
- Instrumentation
- Actuators
- Valves
- Starters
- Drive Line
- Compressors
- Pumps
- Transmissions



Partnering with Formsprag Clutch Provides:

Precision Manufacturing

Advanced grinding and friction control

Quick Turn Around

DV samples in weeks instead of months

Creativity and Vision

Technical help and advice to yield
success for your programs

Best Product for your Application

Meeting customer's Expectations is the
heart of the Formsprag Vision Statement

AS 9100 Certification

Rev C Flag is proudly displayed both
inside and outside the Warren MI Facility

Decades of Experience

Formsprag started with aerospace
clutches on the B52



Products Include:

SSB Power Off Brake

DC current is applied to the field coil releasing the brake rotor allowing free rotation. When the current is dropped, the brake is engaged by spring force.

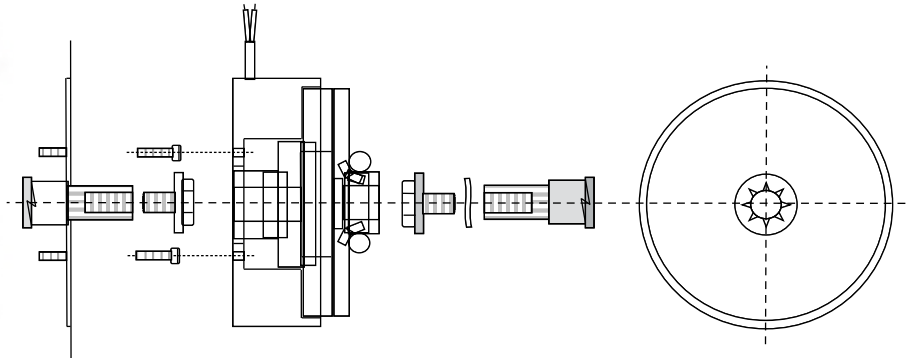
Pulse Brake

A DC Pulse is applied to the field coil releasing the brake rotor allowing freedom of rotation. A reverse polarity DC pulse is then applied causing the brake to come back on through the re-clamping of the rotor. Brake position latching can be provided by a permanent or residual magnetic field.

Electromagnetic Friction Brake

DC Current is applied to the field coil causing the rotor to clamp against a stationary friction surface thus stopping rotation. Current is dropped to release the brake.

- Friction Clutches
- Tooth Clutches
- Slip Clutches
- Permanent Magnet Clutches
- Magnetic Particle Clutches
- Clutch Couplings



www.formsprag.com
23601 Hoover Road
Warren, MI 48089 - USA
586-758-5000
Fax: 586-758-5204

For application assistance:
1-800-348-0881 - Press #1